

Viewtron PTZ Camera Junction Box



VT-JZ1

PTZ Wall Mounting Bracket

Dimensions

- Aluminum alloy material with surface spray treatment
- Wall mounting bracket with the junction box

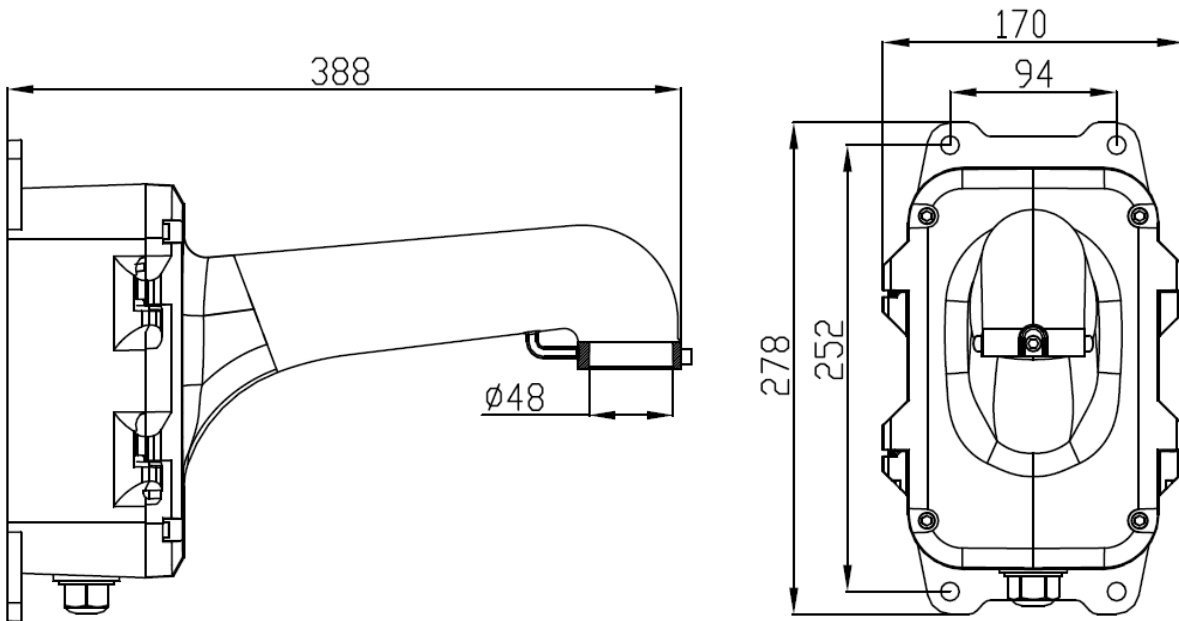
Specifications

Model	VT-JZ1
Material	Aluminum alloy
Color	White
Min. Packaging Quantity	1
Packing Size	423x323x220mm
Dimension	388x278x170mm
Net Weight	2.5kg
Load Bearing	The wall must be strong enough to withstand at least 3 times the weight of the speed dome and the bracket.
Working Temperature	-40°C~60°C (-40°F~140°F)
Working Humidity	10% ~ 90%

Viewtron PTZ Camera Junction Box

Dimensions

Unit: mm



CCTV Camera Pros, LLC

7142 N Seacrest Blvd., Lantana, FL 33462

Tel: +1-561-433-8488

Website: <https://www.cctvcamerapro.com>

E-mail: info@cctvcamerapro.net