

8mp / 4K IP PTZ Camera w/ 32x Zoom



HDR



Perimeter



8MP/4K



DC24V/PoE+



AI Software



IP67



Smart tracking



200m



Auto-tracking Pan Tilt Zoom Camera Overview

The Viewtron IP-PTZ-832 is an auto-tracking PTZ camera with 32x optical zoom, IR night vision, and built-in AI software. This is an 8mp / 4K IP camera that supports 3840x2160 resolution @ 30fps. This IP PTZ has a high-powered AI compute engine that can detect up to 17 objects per scene. With the camera in auto-tracking mode, the camera can automatically detect intrusions and it will track intruders, zoom / fit in center of screen, take snapshot images, record video surveillance footage, and trigger alarms until the object is out of view. Even in a pitch-black environment, this camera can capture human behavior up to 200 meters. This PTZ camera supports H.265 video compression which reduces the bit rate up to 50% without quality loss when compared to H.264 compression. The Viewtron IP-PTZ-832 is ONVIF compliant for open compatibility. The Viewtron IP-PTZ-832 is NDAA compliant which means that it is approved for US government purchase and installation.

Key Features

- Ultra fast rotation and tracking speed, dual belts for endurance / long life.
- Excellent low light performance in color. Long Distance IR night vision.
- 4K / 8 Megapixel (3840 x 2160) Resolution at 30 Frames per Second.
- Deep-learning AI software engine, supports human detection, vehicle detection, auto-tracking PTZ
- IP67 Rated for harsh outdoor weather conditions. IK10 Rated, 6KV Strong surge protection
- ONVIF Compliant for operability with other NVR software manufacturers
- Highly recommend for use with Viewtron IP camera NVRs
- Remote pan tilt zoom controls from mobile app (iPhone and Android) and PC software (Mac and Windows)

Application:

Large range area intrusion, perimeter protection, alarm and smart object tracking. Suitable for high end commercial, residential and government installations.

Suggested Installation Height: 14 Feet and Higher

SPECIFICATION:

Camera Module					
Image sensor	1/2.8" progressive scan CMOS image sensor, BSI and NIR++, dual gain (SONY IMX715)				
Max resolution	3840×2160				
Min. Illumination	Color: 0.01 Lux @ (F1.3, AGC ON); B/W: 0.002 Lux @ (F1.3, AGC ON); 0 Lux with IR				
Image setting	Flip, Mirror, Saturation, Brightness, Contrast, Sharpness, AGC, etc. adjusted by client				
Shutter Speed	60Hz: 1/30s – 1/30,000s@30fps; 50Hz: 1/25s~1/25,000s@25fps				
White Balance	Auto/Manual/Indoor/Outdoor				
Gain control	Auto/Manual				
Day & Night control	Auto/Manual, time schedule				
Iris control	Auto/Manual				
SNR	≥52dB				
3D DNR	Auto/Manual				
AE Enhancement	BLC, HLC, DWDR				
Zoom	32X Optical, 8X Digital				
Housing	IP67 Weatherproof Rated				
Privacy Mask	4 areas, up to 8 mask per request.				
Picture overlay	Logo picture could be overlaid on video with 128x128pixels, 24bits format				
OSD overlay	Max 15 characters/line, 8 lines, white or red font color				
Lens					
Focus length	f=4.8-154mm, 32x optical zoom lens				
Zoom Speed	Approx. 4.6s (optical zoom, wide-tele)				
Field of View	Horizontal: 61.3° ~ 2.18° ; Vertical: 36.9° ~ 1.22° ; Diagonal: 68.4° ~ 2.5° (wide-tele) ±5%				
Image distance	Wide: 1.0m ~ INF; tele: 1.5m ~ INF				
Aperture Range	F1.3~F4.8(W-T)				
Iris Type	DC_IRIS				
IR Cut type	Removable IR Cut filter				
Effective Distances	Focus length	Detection	Observe	Recognize	Identify
	f=4.8mm	143 Meters	60 Meters	29 Meters	14 Meters
	f=154mm	4000 Meters	1624 Meters	818 Meters	409 Meters
PTZ					
Pan Range	360° endless				
Pan speed	Configurable, from 0.1~390°/s; Preset speed: 420°/s				
Tilt Range	From -25° to 155°, auto flip at 90°				
Tilt Speed	Configurable, from 0.1°~270°/s, Preset speed: 300°/s				
Proportional Zoom	Yes				
Preset	360				
Cruise	8 cruises, up to 16 presets for each cruise				
Trace	4 traces, record time over 3 minutes for each trace				
Power off memory	Support				
Action mode	Preset/Cruise/Trace/Auto Scan/Random Scan				
3D Positioning	Support				
PTZ Position Display	Support				
Schedule Task	Preset/Cruise/Trace/Random Scan/Boundary Scanning /Dome reboot/ De-frost/Water Removal				
IR					
IR Distance	200 Meters, 850nm IR Array				
Smart IR	Yes				
Network					
Main stream	50Hz: 25fps: 3840×2160, 2560×1440, 1920×1080, 1280×960, 1280×720; 60Hz: 30fps: 3840×2160, 2560×1440, 1920×1080, 1280×960, 1280×720				
Sub stream	50Hz: 25fps (704 × 576, 640 × 480, 352 × 288); 60Hz: 30fps (704 × 480, 640 × 480, 352 × 240)				

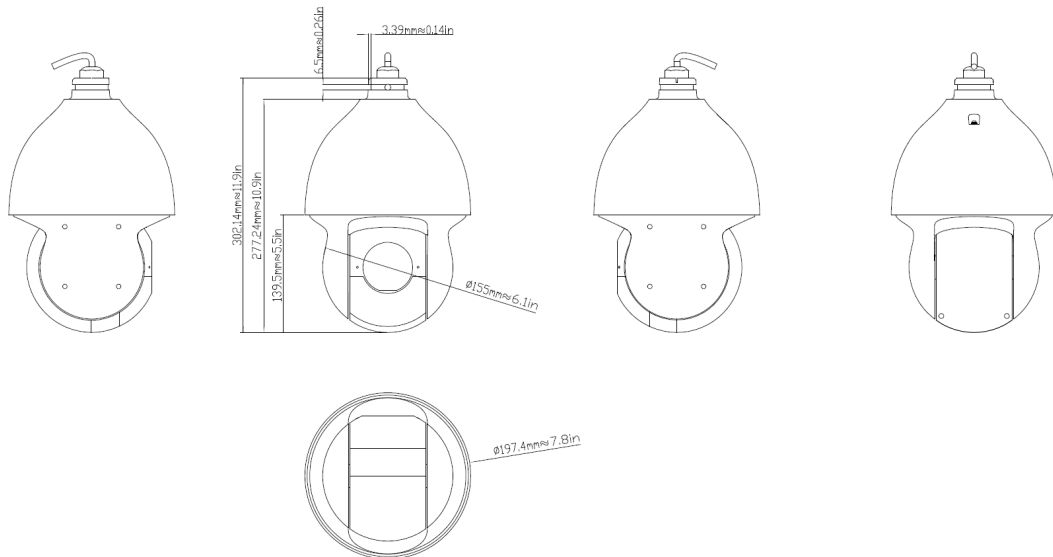
Third Stream	50Hz:25fps (1920 × 1080, 1280 × 960, 1280 × 720, 704 × 576, 640 × 480, 352 × 288) 60Hz:30fps (1920 × 1080, 1280 × 960, 1280 × 720, 704 × 480, 640 × 480, 352 × 240)
Video compression	H.265+, H.265, H.264+, H.264, MJPEG
H.264 Standard	H.264/AVC codec BP/MP/HP, Level 5.1
Video Format	H.265/HEVC codec MP, level 5.0
Video Bit Rate	64 Kbps to 16Mbps
Audio compression	G.711 A/U
Audio Bit Rate	64K bps
Protocols	HTTP, HTTPS, IPv4/IPv6, 802.1x, QoS, FTP, SMTP, UPnP, SNMP, DNS, DDNS, NTP, RTSP, RTCP, RTP, TCP/IP, UDP, DHCP, PPPoE, P2P
User / Host	Up to 16 users, 3 levels: Administrator, Advanced User, Normal User
Security Measures	User authentication (ID and PW), Host authentication (MAC address); HTTPS encryption, IEEE802.1x port-based network access control; IP address filtering
API	ONVIF A/G/Q/S/T
Remote Viewing Client	Viewtron VMS Software for Mac and Windows, iOS App, Android App
Web Browser Access	IE8-11 with plug-in; Edge, Chrome, Firefox with plugin free
Smart Features and AI Software	
Basic event	Motion detection, Video tampering alarm, Exception (Network disconnected, IP address conflict, SD full, SD error)
Face Recognition	Face detection & capturing, Max 17 faces per scene.
AI Object Detection	Vehicle Detection, Human Detection, Vehicle auto-tracking, Human auto-tracking
Smart Detection	Tripwire, Bi-directional tripwire, Illegal intrusion detection, Region entrance detection, Region exiting detection.
Auto-Tracking	support smart tracking of human or vehicle, manual/auto
System Integration	
External Alarm Integration	1 Alarm input (dry contact), 1 Alarm output (dry contact)
Audio Interface	1 audio input, line level, 2.0-2.4Vpp, impedance 1KΩ; 1 audio output, line level, impedance 600Ω
Alarm Linkage	Alarm actions, such as Preset, Cruise, Trace, Memory Card Video Record, Trigger Recording, Notify Surveillance Center, Upload to FTP/Memory Card, Send Email, etc.
Network Interface	1 RJ45 10M/100M Adaptive Ethernet
SD Card Slot	One MicroSD slot, up to 256G
Built-in Speaker & Mic	N/A
RS485	N/A
BNC	N/A
Reset button	Yes
Electric Heater & Fan	Yes
Water removal	Remove water-drops by quick spinning
Frost and fog removal	Active electric heating and air loop
General	
languages	English, Czech, German, Hungarian, Italian, Japanese, Korean, Portuguese, Polish; Russian, Romanian, Spanish, Simplified Chinese, Turkish, Traditional Chinese.
Power supply	PoE++ (802.3.bt)(60Watt) midspan, network switch, router or high power NVR, DC24V±25%1500mA adaptor avg. 14W, max 29W, including IR 10W
Working condition	-40°C~70°C (-40°F ~ 158°F), IR off; -40°C~50°C,IR on; Cold start>= - 30°C(0.5-1hour waiting); 90%RH
Storage condition	-40°C ~ 70°C ; ≤ 95% RH
Protection	6000V Lightning Protection, Surge Protection and Voltage Transient Protection
Material	Aluminum Alloy (ADC12); Polymer (PC+GF15%)
Dimensions	See Below
Net Weight	Approx. 3.0 Kg (6.61 lb.)
Certification	IP67, IK10(excluding glass window), ROHS, CE, FC,KC, BIS,UKCA
Rotation Life	At least 10 million rotations

Ordering information

CCTV Camera Pros

<https://www.Viewtron.com>

Dimensions(mm/inch):



Accessories (optional):

