

4MP IP PTZ Camera w/ 40x Zoom



HDR



Perimeter



4MP



DC24V/PoE+



VCA



IP67



Smart tracking



350m



Auto-tracking PTZ Overview

The Viewtron IP-PTZ-440 is an auto-tracking PTZ camera with 40x optical zoom, IR night vision, and built-in AI software. This is a 4mp IP camera that supports 2560x1440 resolution @ 30fps. This IP PTZ has a high-powered AI compute engine that can detect up to 17 objects per scene. It can classify humans and vehicles within a 720-meter distance. With the camera in auto-tracking mode, the camera can automatically detect intrusions and it will track intruders, zoom / fit in center of screen, take snapshot images, record video surveillance footage, and trigger alarms until the object is out of view. Even in a pitch-black environment, this camera can capture human behavior up to 350 meters. This PTZ camera supports H.265 video compression which reduces the bit rate up to 50% without quality loss when compared to H.264 compression. The Viewtron IP-PTZ-440 is ONVIF compliant for open compatibility. The Viewtron IP-PTZ-440 is NDAA compliant which means that it is approved for US government purchase and installation.

Key Features

- Ultra fast rotation and tracking speed, dual belts for endurance / long life.
- Excellent low light performance in color. Long Distance IR night vision.
- 4 Megapixel (2560 x 1440) Resolution at 30 Frames per Second.
- Deep-learning AI software engine, supports human detection, vehicle detection, auto-tracking PTZ
- IP66 Rated for harsh outdoor weather conditions. IK10 Rated, 6KV Strong surge protection
- ONVIF Compliant for operability with other NVR software manufacturers
- Highly recommend for use with Viewtron IP camera NVRs
- Remote pan tilt zoom controls from mobile app (iPhone and Android) and PC software (Mac and Windows)

Application:

Large range area intrusion, perimeter protection, alarm and smart object tracking. Suitable for high end commercial, residential and government installations.

Suggested Installation Height: 14 Feet and Higher

SPECIFICATION:

Camera Module					
Image sensor	1/2.8" progressive scan CMOS image sensor				
Max resolution	4 Megapixel (2560x1440)				
Min. Illumination	Color : 0.005 Lux @ (F1.2 , AGC ON) ; B/W : 0.001 Lux @(F1.2 , AGC ON); 0Lux with IR				
Image setting	Flip, Mirror, Saturation, Brightness, Contrast, Sharpness, AGC, etc. adjusted by client				
Shutter Speed	60Hz: 1/30s – 1/30,000s@30fps;50Hz:1/25s~1/25,000s@25fps				
White Balance	Auto/Manual/Indoor/Outdoor				
Gain control	Auto, Manual				
Day & Night control	Auto, Manual, Time Schedule.				
Iris control	Auto/Manual				
SNR	≥52dB				
3D DNR	Auto/Manual				
AE Enhancement	BLC, HLC, DWDR				
Zoom	40X Optical, 16X Digital				
Housing	IP66 Weatherproof Rated				
Privacy Mask	4 areas, up to 8 mask per request.				
Picture overlay	Logo picture could be overlaid on video with 128x128pixels, 24bits format				
OSD overlay	Max 15 characters/line, 8 lines, white or red font color				
Lens					
Focus length	f=4.5-180mm lens,40x optical zoom				
Zoom Speed	Approx. 5.2s (optical zoom, wide-tele)				
Field of View	H: 59.1° ~1.8°; V: 38.4° ~ 1.1° ; D: 68.9° ~ 2.1° (wide-tele) ±5%				
Image distance	Wide: 1.0m ~ INF; tele: 1.5m ~ INF				
Aperture Range	Max F1.2				
Iris Type	DC IRIS				
IR Cut type	Removable IR Cut filter				
Effective Distances	Focus length	Detection	Observe	Recognize	Identify
	f=4.5mm	99.6m(326.8 f.t.)	39.5m(129.7 f.t.)	19.9m(65.4 f.t.)	10m(32.7 f.t.)
	f=180mm	3600m(8126.6f.t.)	1429m(3250.7 f.t.)	720m(1625.3f.t.)	360m(812.7 f.t.)
PTZ					
Pan Range	360° endless				
Pan speed	Configurable, from 0.1~390°/s; Preset speed: 420°/s				
Tilt Range	From -25° to 155°, auto flip at 90°				
Tilt Speed	Configurable, from 0.1°~270°/s, Preset speed: 300°/s				
Proportional Zoom	Yes				
Preset	360				
Cruise	8 cruises, up to 16 presets for each cruise				
Trace	4 traces, record time over 3 minutes for each trace				
Power off memory	Support				
Action mode	Preset/Cruise/Trace/Auto Scan/Random Scan				
3D Positioning	Support				
PTZ Position Display	Support				
Schedule Task	Preset/Cruise/Trace/Random Scan/Boundary Scanning /Dome reboot/ De-frost/Water Removal				
IR					
IR Distance	350m (1148 ft.) 850nm IR				
Smart IR	Yes				
Network					
Main stream	50Hz: 25fps: 2560x1440,1920×1080,1280×960,1280×720; 60Hz: 30fps: 2560x1440,1920×1080,1280×960,1280×720				
Sub stream	50Hz: 25fps (704 × 576, 640 × 480, 352 × 288); 60Hz: 30fps (704 × 480, 640 × 480, 352 × 240)				

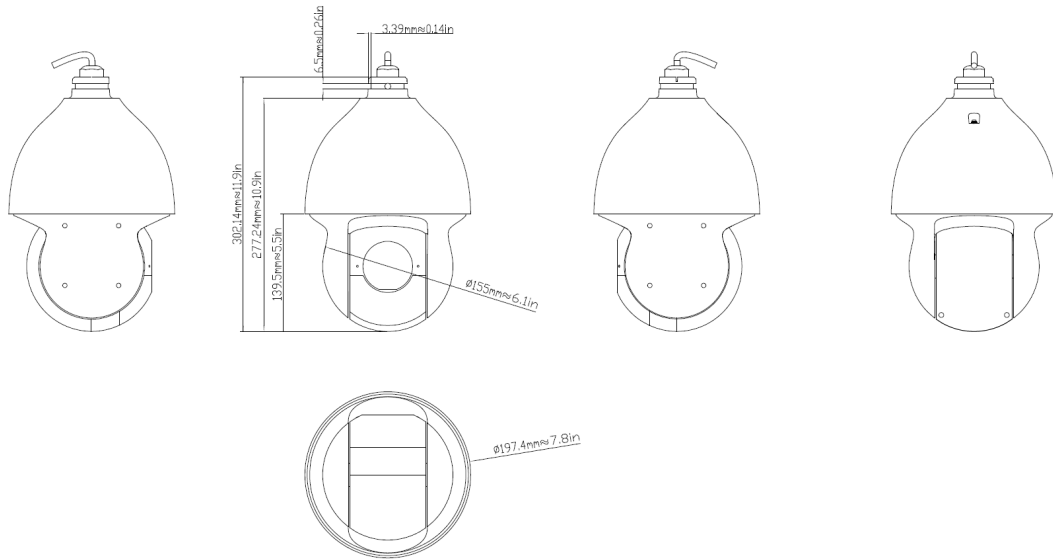
Third Stream	50Hz:25fps (1920 × 1080, 1280 × 960, 1280 × 720, 704 × 576, 640 × 480, 352 × 288) 60Hz:30fps (1920 × 1080, 1280 × 960, 1280 × 720, 704 × 480, 640 × 480, 352 × 240)
Video compression	H.265+, H.265, H.264+, H.264, MJPEG
H.264 Standard	H.264/AVC codec BP/MP/HP, Level 5.1
Video Format	H.265/HEVC codec MP, level 5.0
Video Bit Rate	64 Kbps to 16Mbps
Audio compression	G.711 A/U
Audio Bit Rate	64K bps
Protocols	HTTP, HTTPS, IPv4/IPv6, 802.1x, QoS, FTP, SMTP, UPnP, SNMP, DNS, DDNS, NTP, RTSP, RTCP, RTP, TCP/IP, UDP, DHCP, PPPoE, P2P
User / Host	Up to 16 users, 3 levels: Administrator, Advanced User, Normal User
Security Measures	User authentication (ID and PW), Host authentication (MAC address); HTTPS encryption, IEEE802.1x port-based network access control; IP address filtering
API	ONVIF A/G/Q/S/T
Remote Viewing Client	Viewtron VMS Software for Mac and Windows, iOS App, Android App
Web Browser Access	IE8-11 with plug-in; Edge, Chrome, Firefox with plugin free
Smart Features and AI Software	
Basic event	Motion detection, Video tampering alarm, Exception (Network disconnected, IP address conflict, SD full, SD error)
Face Recognition	Face detection & capturing, Max 17 faces per scene.
AI Object Detection	Vehicle Detection, Human Detection, Vehicle auto-tracking, Human auto-tracking
Smart Detection	Tripwire, Bi-directional tripwire, Illegal intrusion detection, Region entrance detection, Region exiting detection.
Auto-Tracking	support smart tracking of human or vehicle, manual/auto
System Integration	
External Alarm Integration	1 Alarm input (dry contact), 1 Alarm output (dry contact)
Audio Interface	1 audio input, line level, 2.0-2.4Vpp, impedance 1KΩ; 1 audio output, line level, impedance 600Ω
Alarm Linkage	Alarm actions, such as Preset, Cruise, Trace, Memory Card Video Record, Trigger Recording, Notify Surveillance Center, Upload to FTP/Memory Card, Send Email, etc.
Network Interface	1 RJ45 10M/100M Adaptive Ethernet
SD Card Slot	One MicroSD slot, up to 256G
Built-in Speaker & Mic	N/A
RS485	N/A
BNC	N/A
Reset button	Yes
Electric Heater & Fan	Yes
Water removal	Remove water-drops by quick spinning
Frost and fog removal	Active electric heating and air loop
General	
languages	English, Czech, German, Hungarian, Italian, Japanese, Korean, Portuguese, Polish; Russian, Romanian, Spanish, Simplified Chinese, Turkish, Traditional Chinese.
Power supply	DC24V±25%, PoE+ (802.3.at,type 2), max 23.5W include IR ON+PTZ working
Working condition	-40°C~70°C (-40°F ~ 158°F), IR off; -40°C~50°C,IR on; Cold start>= -30°C(0.5-1hour waiting); 90%RH
Storage condition	-40°C ~ 70°C ; ≤ 95% RH
Protection	6000V Lightning Protection, Surge Protection and Voltage Transient Protection
Material	Aluminum Alloy (ADC12); Polymer (PC+GF15%)
Dimensions	Φ 302mm × 197mm (Φ11.9inch × 7.75 inch)
Net Weight	Approx. 3.0 Kg (6.61 lb.)
Certification	IP66, IK10(excluding glass window), ROHS, CE, FC,KC, BIS,UKCA
Rotation Life	At least 10 million rotations

Ordering information

CCTV Camera Pros

<https://www.Viewtron.com>

Dimensions(mm/inch):



Accessories (optional):

