



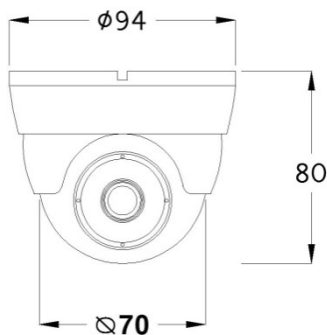
CAUTION

RISK OF ELECTRIC SHOCK
DO NOT OPEN

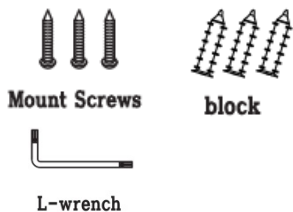


CAUTION : TO REDUCE THE RISK OF ELECTRIC SHOCK,
DO NOT REMOVE COVER
NOT USER SERVICEABLE PARTS INSIDE
REFER SERVICING TO QUALIFIED SERVICE PERSONNEL

Dimensions

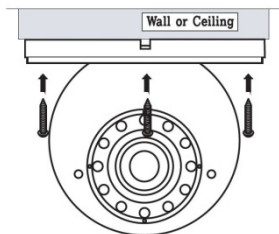


Accessories



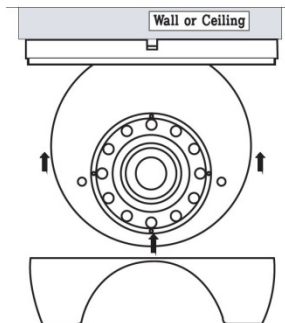
Installation

Step.1

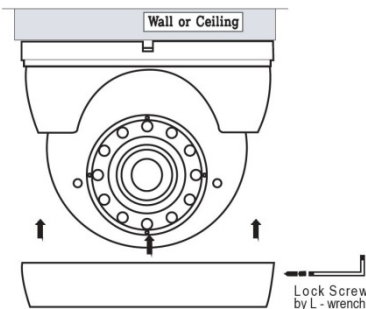


Fix the base bracket
with screws on the Wall or Ceiling

Step.2

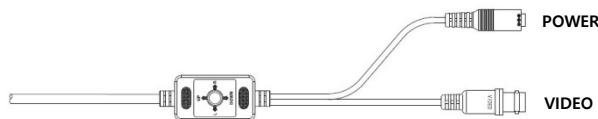


Adjust ball angle
and fix the ball base



Turn fix the dome cover on
the base by hand
and lock by L-wrench

Cable



Features

- 1/2.8" Sony STARVIS CMOS image sensor
- 4MP Video Resolution (2560x1440/@30fps)
- AHD, HD-TVI, HD-CVI, Analog CVBS Compatible
- Auto Compensation & Long range transmission
- Excellent Low illumination performance
- Built-in IR Night Vision / 24 pcs of IR LEDs
- Fixed 2.5mm 180 Megapixel Fisheye lens
- 172 Degree Effective Field of View
- True Day & Night with ICR Mechanism
- 3D DNR (Digital Noise Reduction)/
- D-WDR (Digital Wide Dynamic Range)
- 3 axis turret dome mount
- Weather proof / IP-66 rating
- DC12V

Specifications

Image Sensor	1/2.8" Sony STARVIS CMOS image sensor
Resolution	4MP / 1440p@30fps / 960H (CVBS)
Scanning System	Progressive
Video Output	Universal AHD,HD-CVI, HD-TVI Analog: NTSC/ PAL CVBS
S/N Ratio	More than 50dB (AGC off)
Min. Illumination	0.001 lux (F1.0)
D-WDR	Off/AUTO
Backlight	Off/BLC
DNR	Off/Low/Middle/High
Motion Detection	Off/On
Power Source	DC12V ±10%
Power Consumption	Max 2.0 Watt
Operating Temperature	-10°C to 50°C
Operating Humidity	10% to 85%
Lens	2.5mm megapixel 180 fish-eye lens
Dimension/mm	70mm(D) X 80mm(L)
Weight/g	400g

CAUTION! Please use regulated power supply DC12V 500mA
Reverse Polarity Protection

All specification and pictures are subject to change without notice to improve quality.